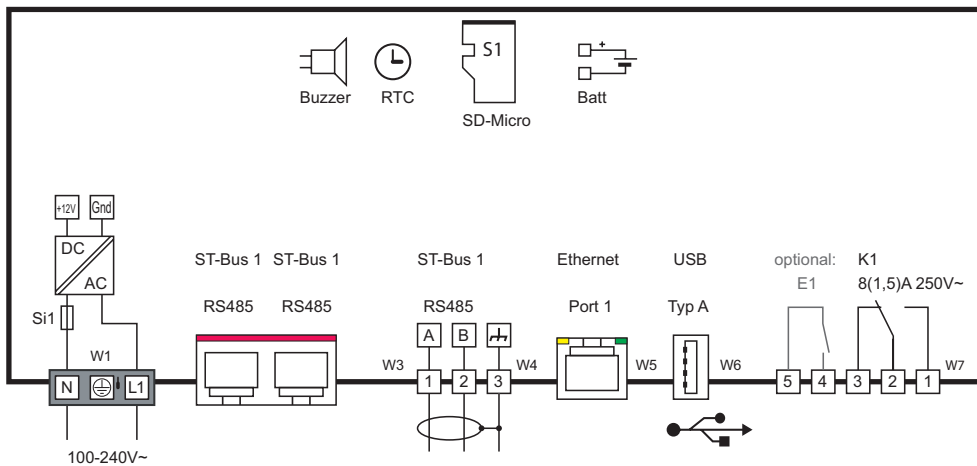


Order number: 900333.004

As of: 03.09.2021



Wiring diagram



Product description

The Commander Box is a small and easy to install unit that gives you the possibility of remote maintenance of your products. It is a cost-effective alternative to our Commanders with 7" or 4.3" touch display. It can also manage up to 32 controllers, but unlike the Commander 43 or Commander 70, the Commander Box has no display. The visualization is done via a web interface or ST-Studio.

Likewise, the configuration of the box can be carried out via the web interface or via ST-Cloud.

Specifications:

- Integrated web server
- Ethernet interface
- USB Port
- ST-Bus (RS485)
- Up to 32 controllers can be connected
- Internal data storage on industrial SD-card
- Real time clock with backup battery
- Wide range power supply, 100-240V AC, 50/60 Hz
- Integrated alarm contact
- Integrated buzzer



Electrostatically sensitive device

Do not reach into the circuit or into the connectors!
Before working on the device, ensure potential equalisation.



Only insert the plugs in a de-energised state!

Plugging under voltage leads to wear of the contacts and malfunction.

Appropriate use

Installation, connection and commissioning may only be carried out by a qualified electrician.
Arbitrary interventions and manipulations are not permitted.

Device suitable for indoor installation, protect from direct sunlight and UV radiation.

Operating conditions

The maximum permissible ambient temperature is +55 °C. Protect from frost.

Usage

Rated voltage	100 ... 240V~
Over-voltage category	II

Regular checks

Battery replacement

The date and the correct time are required to ensure data recording.

The real-time clock (RTC) is buffered by a primary battery with a maximum life of 10 years.

It is necessary to replace the battery in time (recommended every 3 years).

If the battery is empty, the controller reports every time the power supply is switched on with the request to set the time.

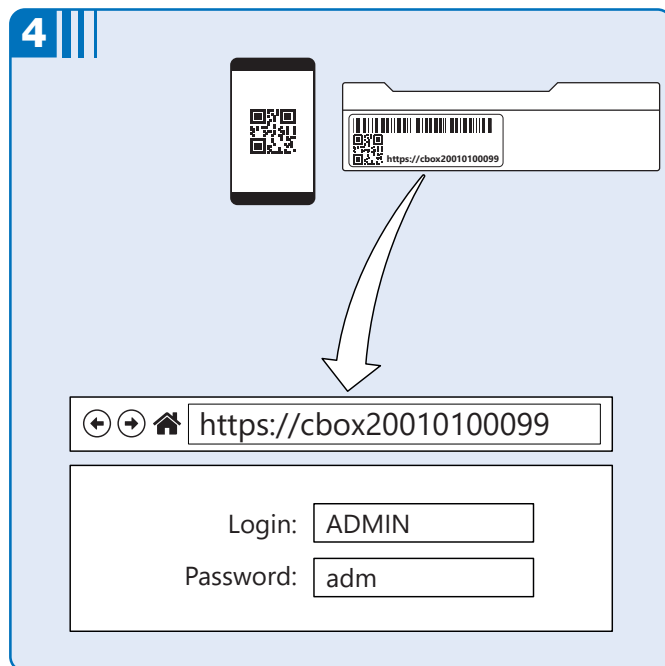
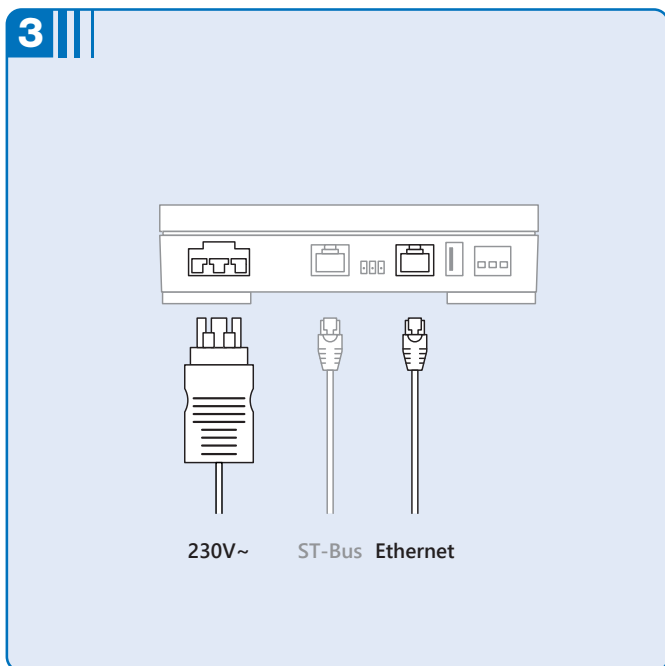
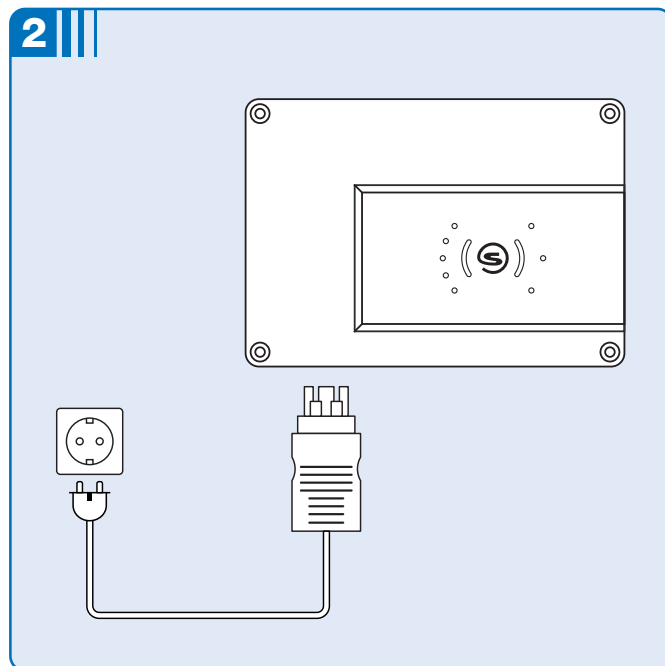
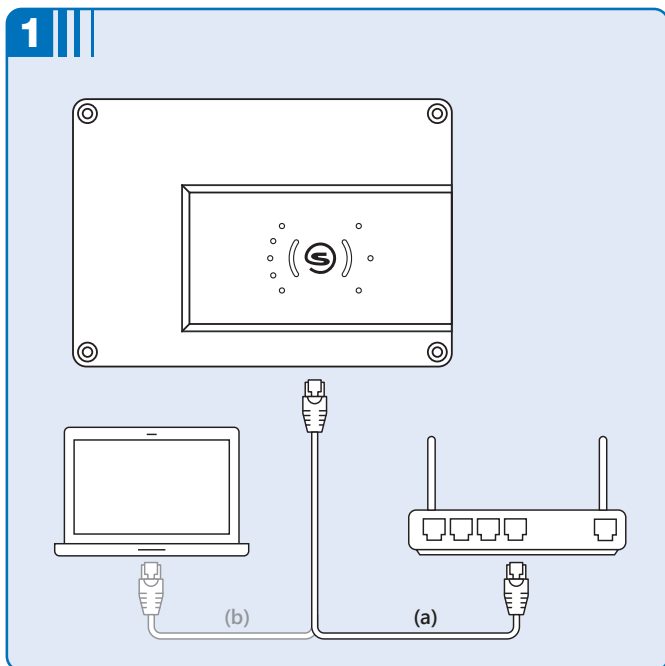
Attention:

The battery may only be replaced by trained personnel! The old battery must be disposed of properly.

The battery is accessible after unscrewing the cover (only in de-energized condition).

Follow steps 1 to 4 to get access to your Commander Box:

- 1** Connect the box (a) to a router/switch **or** (b) directly to a PC using a network cable.
- 2** Connect the supplied power cord to the box and the power outlet.
- 3** Make sure that the proper connectors are used.
- 4** Enter the URL shown on the label on the side of the box in your browser or scan the QR code.





LED	Function
	WiFi
	Bluetooth
	LAN
	ST-Bus 1
	ST-Bus 2
	Cloud
	Alarm
	Alarm contact
	Multifunction button

Technical data

Inputs	E1: Digital switching input (optional!)
Outputs	K1: Relay, 8(1,5) A 250V~, changeover contact, alarm function Additional built-in buzzer, 85 dB
Display	10 LEDs for status display
Battery RTC	Coin cell 2032, 3V, 220mAh
Interface	ST-Bus interface (RJ45 or plug-in terminal) Interface driver: RS485, 57600 Baud, cable length max. 1000m The remote networking must be set up in line topology and terminated on both sides with 120 Ohm resistors. 1x Ethernet interface (RJ45) for configuration/web interface
Power supply	100...240V~ +/- 10%, 50/60Hz, current consumption max. 20W
Connectors	WAGO/Wieland Plug-in terminals, 2 x RJ45, USB Typ A W1: Header WAGO, 3 pole, spacing 10.0 mm power supply W3: RJ45 ST-Bus-1 W4: Header Wieland, 3 pole, spacing 3.5 mm ST-Bus-1 W5: RJ45 Ethernet W6: USB Type A USB Host W7: Socket plug Wago, 3 pole, spacing 4.4 mm Alarm relay
Ambient conditions	Storage temperature: -20...+70°C Operating temperature: 0...+55°C Relative humidity: max. 75% without dew
Enclosure	IP20
Protection class	Protection class II (double insulation)
Installation data	Material: Ultramid® C3U Dimensions: 170 x 120 x 54 mm (without connectors)

