

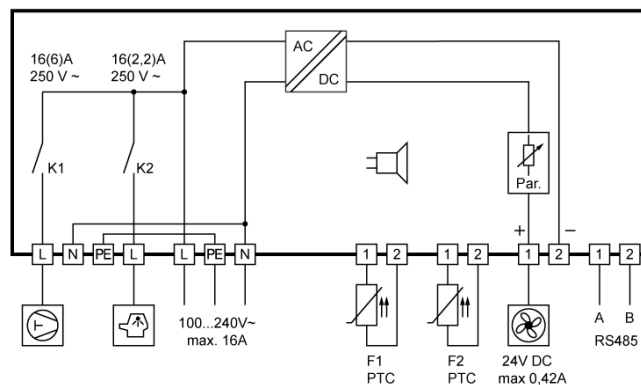
ST181-LM4KAR.112

Controller for cooling applications

Order number 900315.005



Wiring diagram



Product description

The cooling controller ST181-LM4KAR.112 is a control unit specifically designed for 24V DC ventilation adjustment. The maximum ventilation power is 10W. The number of revolutions can be decreased to 20% and thus create a minimum air speed. Due to the galvanic separation of the ST181-controller the low-voltage ventilator can also be safely operated in a wet environment.

The two switching outputs for 16A each (engine load max. 1HP) supply the compressor, lighting or other necessary exits.

Networking of the controller takes place via the ST-Bus interface.

Sensor: PTC

Range: -55...99°C

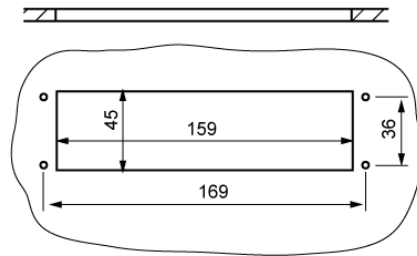
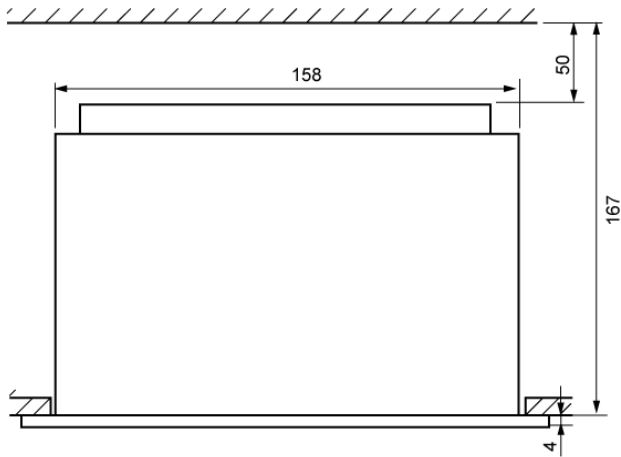
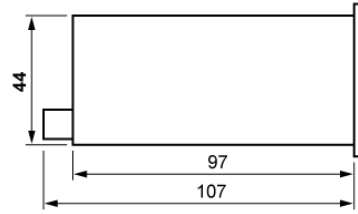
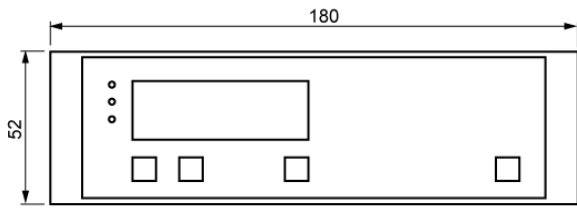
Front size: 180mm x 52mm

Panel cut-out: 159mm x 45mm

Tightness: Front IP65

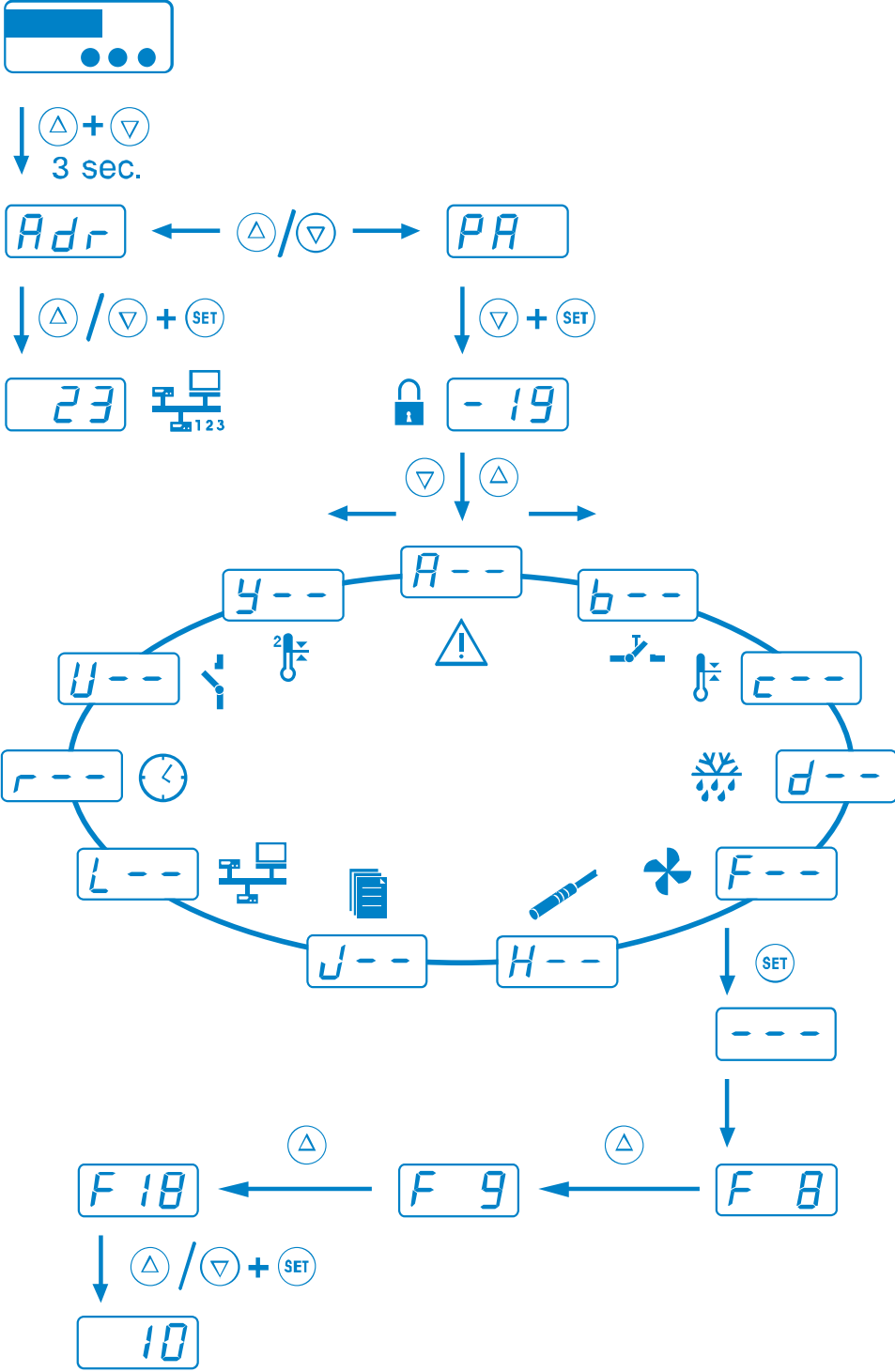
Connector: Wieland terminal

ST 181...



SOFTWARE

COOLING CONTROLLER ST181-xxx.112



GENERAL INFORMATION

The ST.....112 controllers are designed for general use in refrigerating plants.

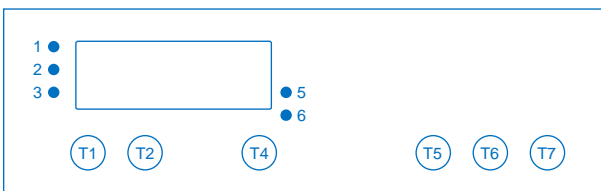
Depending on the existing hardware, up to four temperature sensors can be connected. These can either be used for capturing the cold store temperature, evaporator temperature, super-frost core temperature, the temperature of a second control circuit or the temperature of the condenser. The type, function, offset and weighting of each sensor can be configured separately via parameters. Additionally, an analogue input (4..20mA) can be made available for capturing pressure levels, e.g. for condenser/fan control, provided that the required hardware is available.

The max. four digital inputs can also be configured separately, depending on the hardware installed. Possible functions include: standby, door contact, high-pressure or low-pressure switch.

Depending on the hardware, up to eight relay outputs are possible the functions of which can be configured as required via parameters. Please refer to the specifications of the hardware installed to ensure that the relays are not overloaded. Also refer to the circuit diagram in the corresponding device manual.

All parameters can also be accessed via the RS485 interface. If an internal clock is provided in the hardware, the corresponding functions, e.g. defrosting or night-time increase/decrease of setpoint, can be set and started via parameters.

CONTROL KEYS



Key T1: UP (up-arrow)
By pressing this key the parameter or parameter value is increased. A further function of the key can be set with parameters **b 1**.

Key T2: DOWN (down-arrow)
By pressing this key the parameter or parameter value is decreased. A further function of the key can be set with parameter **b2**.

Key T4: SET
While **SET** key is pressed, the setpoint S1 is indicated. The function of the key can be set with parameter **b4** (unchangeable in this case).

Key T5: Function key
The function of the key can be set with parameter **b5**.

Key T6: Function key
The function of the key can be set with parameter **b6**.

Key T7: STANDBY
The function of the key can be set with parameter **b7**. It is preset as standby key. Thus the unit can be switched on or off (no mains disconnection).

The cooling controller is generally controlled using the buttons **UP**, **DOWN** and **SET**. The standard display indicates the temperature of the cold store (actual temperature value). Press **SET** button to switch over the display to the required cold store temperature (setpoint temperature).

The setpoint temperature can only be changed by pressing buttons **SET** and **UP** or **SET** and **DOWN** at the same time. While pressing the buttons, the changing setpoint temperature is displayed. After changing the setpoint temperature and releasing the buttons, the actual temperature is displayed again. This is the standard setting method.

If you press the **STANDBY** button during operation (for at least 3 seconds), the cooling controller is switched off and the message **AUS** will be displayed. To switch on the controller again, press the **STANDBY** button again.

In addition to setting the temperature value, the buttons **UP** and **DOWN** perform other functions, too. Pressing the **UP** for 3 seconds will trigger a non-standard defrosting operation of the refrigerating plant. In the case of an alarm (with buzzer triggered), the **DOWN** button can be used for acknowledging the buzzer sound.

PARAMETERISATION

Parameterisation of the cooling controller is done in the factory or during commissioning of a cold store by qualified staff. Wrong or inappropriate parameterisation can result in malfunction and damage of the refrigerated goods. Parameter setting is possible only after entering one or more passwords. In the following list of parameters, all parameters of a complex cooling controller are listed. Please note, however, that the parameters listed are only available in controller designs where the relevant hardware (outputs, inputs, sensors and internal clock) is available.

Parameterisation is possible at any time. The control operation is not interrupted during parameterisation, but can have a direct influence on it. If no button is pressed for 2 minutes, the operation is stopped and the actual value is displayed again.

To activate parameterisation mode, press buttons **UP** and **DOWN** at the same time. After approx. 3 seconds, the code word **Adr** will be displayed. Press **UP** or **DOWN** to switch between code words **PA** and **Adr**. All other settings / value specifications in parameter setting mode are performed using the default value setting method, i.e. pressing buttons **SET** and **UP / DOWN** at the same time.



Adr NETWORK ADDRESS

Under code word **Adr** you can set a network address. This is required for commissioning networked systems.



PA ENTERING A PASSWORD

By selecting code word **PA**, you can enter a password required for parameterisation. Once the password has been entered - **19**, the name of the first group of parameters is displayed **A--** (alarms). Now, using the buttons **UP** and **DOWN** you can select any of the parameter groups quickly.



A-- ALARMS

Once you have selected a parameter group, it will normally be sufficient if you press the button **SET** (**---** will be displayed) and then release the button again. Now, the first parameter of the group will be displayed (parameter **AD** in parameter group **A--**, for example).

Using the buttons **UP** and **DOWN** you can scroll the parameter group and change certain parameter values using the default value setting method. Press buttons **UP** and **DOWN** at the same time to quit any parameter group and return to the list of parameter groups. To quit the list of parameter groups and return to the standard level, press buttons **UP** and **DOWN** at the same time.

In some cases, certain parameter groups may be protected by a password. In this case, you will have to enter a specific password for the parameter group like in the case of activation of the parameterisation level.



A-- Alarms



* **b-- Buttons and switching inputs**



c-- Control circuits 1



d-- Defrosting control circuits 1



F-- Fan control circuits 1



H-- Temperature sensors



* **J-- Pre-defined sets of parameters**



* **L-- Networking and display**



* **U-- Relay contacts and lamps**



* **y-- Control circuit 2**

* These levels by default are protected by a password.



A-- Alarms

Parameter	Description of function	Setting range	Values default
A0	Assignment of alarm sensors, detailed description of sensors in parameters H11 through H53	0: none 1: Sensor F1 2: Sensor F2 3: Sensor F3 4: Sensor F4 5: weighted mean value from F1 and F2	1
A1	Upper limit value	0.0: inactive +0.1...+99.0°C	10.0
A2	Lower limit value	-99.0...-0.1°C 0.0: inactive	-10.0
A3	Switching mode of alarm relay	0: on if alarm present (normal) 1: off if alarm present (inverse)	1
A4	Switching hysteresis for alarm	0.1...15.0°C	2.0
A10	Alarm suppression time after temperature alarm	0...240 min.	10
A11	Alarm suppression time after defrosting	0...240 Min	15
A12	Alarm suppression time after control ON or change of setpoint and/or alarm limits	0...300 Min.	180
A13	Alarm suppression time, door open	0: no alarm 1 ... 600 sec.	180
A14	Behaviour if temperature alarm disappears again	0: without buzzer, delete automatically 1: with buzzer, delete automatically 2: without buzzer, with acknowledgement 3: with buzzer, with acknowledgement	1
A15	Function buzzer and/or display in the case of alarm (temp. alarm see A14)	0: no display, no buzzer 1: display flashing only 2: buzzer active only 3: display flashing, buzzer active 4: like 2., can be acknowledged 5: like 3., buzzer can be acknowledged 6: like 5., recurring after A16	5
A16	Buzzer recurring after acknowledgement	1 ... 120 min.	30
A17	Reset MIN / MAX memory	0: - 1: reset MAX memory 2: reset MIN memory 3: Reset MAX and MIN memory	0
A18	Display of current MAX memory	Measured value, not adjustable	
A19	Display of current MIN memory	Measured value, not adjustable	
A20	Function of high-pressure switch Releases until permanent alarm	0: no permanent alarm 1..10 : releases per 15 min.	0
A25	Function of low-pressure switch Releases until permanent alarm	0: no permanent alarm 1...300 sec.	0
A99	Password of parameter level A--	-99 ... 999	0



b-- Buttons and switching inputs (password-protected)

Parameter	Description of function	Setting range	Values default
b1	Function button T1	0: without function 1: controller on/standby 2: defrosting request 3: acknowledge alarm 4: relay function light 1, not active in standby 5: relay function light 1 regardless of standby 6: relay function light 2, not active in standby 7: relay function light 2, regardless of standby 8: relay function window heating, not active in standby 9: relay function window heating, regardless of standby 10: relay function blade scraper, not active in standby 11: relay function blade scraper, regardless of standby 12: relay function door frame heating, not active in standby 13: relay function door frame heating, regardless of standby 14: relay function F, not active in standby 15: relay function F regardless of standby 16: Set1 / Set2 change-over 17: day / night change-over 18: "super-frost" on/off 19: evaporator fan on permanently 20: control circuit 1 on/off 21: control circuit 2 on/off 22: set for setpoint Y1 23: display MIN 24: display MAX 25: display sensor F1 26: display sensor F2 27: display sensor F3 28: display sensor F4 29: display sensor F5 30: reset both MIN/MAX 31: reset MIN 32: reset MAX	2
b2	Function button T2	see b1	3
b3	Function button T3	see b1	0
b4	Function button T4	see b1	0
b5	Function button T5	see b1	16

Parameter	Description of function	Setting range	Values default
b6	Function button T6	see b 1	0
b7	Function button T7	see b 1	1
b8	Function button T8	see b 1	0
b 1 1	Function of external switching input E1	0: without function 1: controller on/standby 2: high-pressure alarm (see A20) 3: low-pressure alarm (see A25) 4: door contact (light on, fan off, see A 13) 5: relay function A (light 1), not active in standby 6: relay function A (light 1), regardless of standby 7: relay function B (light 2), not active in standby 8: relay function B (light 2), regardless of standby 9: relay function C (window heating), not active in standby 10: relay function C (window heating), regardless of standby 11: relay function D (blade scraper), not active in standby 12: relay function D (blade scraper), regardless of standby 13: relay function E (door frame heating), not active in standby 14: relay function E (door frame heating), regardless of standby 15: relay function F, not active in standby 16: relay function F, regardless of standby 17: Set1 / Set2 change-over 18: day / night change-over 19: "super-frost" on/ off (see c2 1...c23) 20: evaporator fan on permanently 21: defrosting request circuit 1 22: defrosting request circuit 2 23: control circuit 1 on/off 24: control circuit 2 on/off	0
b 12	Switching input E1 inverse / not inverse	0: normal 1: inverse	0
b 13	Function of external switching input E2	see b 1 1	0
b 14	Switching input E2 inverse / not inverse	see b 12	0
b 15	Function of external switching input E3	see b 1 1	0
b 16	Switching input E3 inverse / not inverse	see b 12	0
b 17	Function of external switching input E4	see b 1 1	0
b 18	Switching input E4 inverse / not inverse	see b 12	0
b99	Password of parameter level b--	-99 ... 999	-19



c-- Control circuit 1

Parameter	Description of function	Setting range	Values default
c0	Assignment of cold store sensors, detailed description of sensors in parameters H11 through H53	0: none 1: Sensor F1 2: Sensor F2 3: Sensor F3 4: Sensor F4 5: weighted mean value from F1 and F2	1
c1	Setpoint for Set1	c8...c7	0.0
c2	Night setpoint (relative to current setpoint c1 / c3)	-20 ... +20.0°C	5.0
c3	Setpoint for Set2	c8...c7	2.0
c4	Switching mode	0: heating 1: refrigerating	1
c5	Hysteresis	0.1...15.0°C	2.0
c6	Hysteresis mode	0: symmetrical 1: one-sided	1
c7	Upper setpoint limit	c8...+99°C	50.0
c8	Lower setpoint limit	-99°C...c7	-50.0
c10	Start protection after compressor start	0 ... 900 sec.	300
c11	Start protection after compressor stop	0 ... 900 sec.	180
c12	Start protection compressor after mains on	0 ... 60 min.	0
c15	On-time in emergency operation	0 ... 100%	50
c16	Cycle time in emergency operation	5 ... 60 min.	10
c20	Assignment of sensor for "super-frost" (also core or product temperature) detailed description of sensors in parameters H11 through H53	0: none 1: Sensor F1 2: Sensor F2 3: Sensor F3 4: Sensor F4 5: weighted mean value from F1 and F2	1
c21	"super-frost": time limit ("shock-frost", "max. cooling power")	1 ... 36 hrs.	10
c22	"super-frost": temperature limit ("shock-frost", "max. cooling power")	-40 ... 0°C	0.0
c23	"super-frost": automatic off ("shock-frost", "max. cooling power")	0: none, manual only 1: controlled by time 2: controlled by time or temperature	2
c99	Password of parameter level c--	-99 ... 999	0



d-- Defrosting control circuit 1

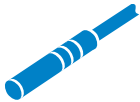
Parameter	Description of function	Setting range	Values default
d0	Assignment of evaporation sensors (defrosting sensors) detailed description of sensors in parameters H11 through H47	0: none 1: Sensor F1 2: Sensor F2 3: Sensor F3 4: Sensor F4 5: weighted mean value from F1 and F2	2
d1	Defrosting interval	0: no automatic defrosting 1...99 hrs.	8
d2	Type of defrosting	0: no defrosting 1: compressor off only (circulating air) 2: electrical 3: with hot gas	2
d3	Stop at defrosting temperature	0 ... +30.0°C	10.0
d4	Defrosting time limitation	1...99 min.	30
d5	Display of cold store temperature during defrosting	0: normal 1: last temperature before defrosting	1
d7	Temperature difference to cold store setpoint in previous cooling	-15°C ... 0.0°C	0.0
d8	Time limitation in previous cooling	1 ... 180 min.	10
d9	Delay of start of defrosting after compressor off d2=2	0 ... 900 sec.	60
d10	Dripping time	0 ... 15 min.	1
d11	Stop delay drip tray heating	0 ... 60 min.	10
d99	Password of parameter level d--	-99 ... 999	0



F-- Fan control circuit 1

Parameter	Description of function	Setting range	Values default
F8	Fan speed control mode, Set1	0 ... 100%	80.0
F9	Fan speed defrosting, Set1	0 ... 100%	80.0
F10	Fan speed control mode, Set2	0 ... 100%	100
F11	Fan speed defrosting, Set2	0 ... 100%	100
F12	Start-up time	0 ... 60 sec.	5
F13	Minimum speed (output variable if result=0)	0 ... 100%	10.0

Parameter	Description of function	Setting range	Values default
F 15	Evaporator fan Fan mode normal operation Remark: Control setpoint if F 15 >4 is c 1 or c 3	0: off 1: continuous operation 2: like 1, with drip interruption 3: with compressor on 4: temperature-controlled evaporator sensor only 5: temperature-controlled difference between cold store and evaporator sensor	3
F 16	Evaporator fan Fan mode defrosting	0: off 1: on	0
F 17	Evaporator fan Delay after compressor start	0 ... 600 sec.	0
F 18	Evaporator fan Delay after defrosting	0 ... 600 sec.	120
F 19	Evaporator fan Drip interruption time if F 15 =2	0 ... 600 sec.	180
F 20	Evaporator fan Control offset if F 15 =4 or 5	-15.0 ... +15.0°C	0.0
F 21	Evaporator fan Control hysteresis if F 15 =4 or 5	0.1 ... 15.0°C	2.0
F 50	Assignment of condenser sensors detailed description of sensors in parameters H 11 through H 53	0: none 1: Sensor F1 2: Sensor F2 3: Sensor F3 4: Sensor F4 5: weighted mean value from F1 and F2	0
F 51	Condenser fan setpoint	-55...+150°C	60.0
F 54	Condenser fan switching hysteresis	0.1...15.0°C	10.0
F 58	Condenser fan delay after compressor start	0...300 sec.	60
F 59	Condenser fan delay after compressor stop (after-running)	0...600 sec.	300
F 65	Condenser fan function	0: always off 1: always on 2: on if compressor on 3: after setpoint F 51 4: like 3., as P controller	2
F 66	Proportional range P-controller if set to F 65 =4	0.1 ... 30.0°C	10.0
F 67	Minimum speed (output PWM if result =0)	0 ... 100%	10.0
F 68	Condenser fan start-up time	0 ... 60 sec.	10
F 99	Password of parameter level F--	-99 ... 999	0



H-- Temperature sensors (password-protected)

Parameter	Description of function	Setting range	Values default
H 1	Mains frequency	0: 50Hz 1: 60Hz	0
H 11	Act. value sensor F1	Measured value, not adjustable	
H 12	Calibration sensor F1 (act. value correction)	-20...+20.0°C	0.0
H 13	Weighting factor sensor F1	0.50...1.50	1.00
H 14	Selection sensor F1 Depending on hardware, not all types are available. Sensor will be deactivated in this case.	0: not existing 1: PTC (-50...+150°C) 2: Pt100 2-wire (-100...+600°C) 3: Pt100 3-wire (-100...+500°C) 4: NTC (-40...+40°C) 5: Pt1000 2-wire (-100...+330°C) 6: Pt1000 3-wire (-100...+300°C) 7: 0-20mA 8: 4-20mA	1
H 15	Software filter sensor F1	1 ... 32	8
H 16	Display at 0/4mA and sensor selection H 14 =7/8	-99...+999	0.0
H 17	Display at 20 mA and sensor selection H 14 =7/8	-99...+999	100
H2 1	Act. value sensor F2	Measured value, not adjustable	OFF
H22	Calibration sensor F2 (act. value correction)	-20...+20.0°C	0.0
H23	Weighting factor sensor F2	0.50...1.50	1.00
H24	Selection sensor F2	see H 14	1
H25	Software filter sensor F2	1 ... 32	8
H26	Display at 0/4 mA and sensor selection H24 =7/8	-99...+999	0.0
H27	Display at 20 mA and sensor selection H24 =7/8	-99...+999	100
H3 1	Act. value sensor F3	Measured value, not adjustable	OFF
H32	Calibration sensor F3 (act. value correction)	-20...+20.0°C	0.0
H33	Weighting factor sensor F3	0.50...1.50	1.00
H34	Selection sensor F3	see H 14	0
H35	Software filter sensor F3	1 ... 32	8
H36	Display at 0/4 mA and sensor selection H34 =7/8	-99...+999	0.0
H37	Display at 20 mA and sensor selection H34 =7/8	-99...+999	100
H4 1	Act. value sensor F4	Measured value, not adjustable	OFF
H42	Calibration sensor F4 (act. value correction)	-20...+20.0°C	0.0
H43	Weighting factor sensor F4	0.50...1.50	1.00
H44	Selection sensor F4	see H 14	0
H45	Software filter sensor F4	1 ... 32	8
H46	Display at 0/4 mA and sensor selection H44 =7/8	-99...+999	0.0
H47	Display at 20 mA and sensor selection H44 =7/8	-99...+999	100

Parameter	Description of function	Setting range	Values default
H51	Display of weighted mean value of F1+F2 $H51 = (H53 * H11 + (100 - H53) * H21) / 100$		
H53	Weighting of sensor F1 for H51	0 ... 100%	100
H99	Password of parameter level H--	-99 ... 999	-19



J-- Pre-defined parameter sets (password-protected)

Parameter	Description of function	Setting range	Values default
J1	Parameter set	0 ... 5	0
J2	Recording interval	10 ... 900 sec.	120
J98	Password for entering level selection (in display PR)	-99 ... 999	-19
J99	Password of parameter level J--	-99 ... 999	-19

Parameter **J2** is visible and can be adjusted only if data record is available.

Parameter **J98** can only be viewed and set via ST-bus.

Warning: Changes made in the parameter set will change **all** parameter settings.



L-- Networking and display (password-protected)

Parameter	Description of function	Setting range	Values default
L0	Own address ST-bus Identical to setting Adr	0: deactivated 1 ... 250	1
L2	Temperature scale	0: °C 1: °F	0
L3	Display mode	0: 3 digits, integers 1: 3 digits, rounded to 0.5 2: 3 digits, 0.1 3: 4 digits, integers 4: 4 digits, rounded to 0.5 5: 4 digits, 0.1	2
L4	Display value	See act. value table	0
L6	Software version		
L7	Display in standby mode	0: OFF 1: AUS 2: right decimal point 3: right decimal point flashing 4: time, OFF in case of an error	1
L40	ST bus release mask for functions	0 ... 255	249
L41	ST bus release mask for functions	0 ... 255	255
L99	Password of parameter level L--	-99 ... 999	-19



U-- Relay contacts and lamps (password-protected)

Parameter	Description of function	Setting range	Values default
U1	Function relay K1	0: no function (off) 1: compressor 2: defrosting circuit 1 3: evaporator fan 4: condenser fan 5: alarm 6: control contact circuit 2 7: defrosting circuit 2 8: relay function A (light 1) 9: relay function B (light 2) 10: relay function C (window heating) 11: relay function D (door frame heat.) 12: relay function E (blade scraper) 13: relay function F 14: drip tray heating 15: buzzer 16: on if controller active 17: on if control circuit 1 active 18: on if control circuit 2 active 19: on if Set 1 active 20: on if Set 2 active 21: on if day mode active 22: on if night mode active	1
U2	Function relay K2	see U1	2
U3	Function relay K3	see U1	3
U4	Function relay K4	see U1	5
U5	Function relay K5	see U1	6
U6	Function relay K6	see U1	0
U7	Function relay K7	see U1	0
U8	Function relay K8	see U1	0

Parameter	Description of function	Setting range	Values default
U 11	Function LED1	0: no function (off) 1: compressor/magnetic valve 2: defrosting control circuit 1 3: evaporator fan 4: condenser fan 5: alarm 6: control circuit 2 7: defrosting circuit 2 8: Light 1 9: Light 2 10: window heating 11: blade scraper 12: door frame heating 13: relay function F 14: drip tray heating 15: "super-frost" 16: "humidity" 17: control circuit 1 active 18: control circuit 2 active 19: set 1 active 20: set 2 active 21: day mode active 22: night mode active 23: display "MIN" 24: display "MAX"	1
U 12	Function LED2	see U 11	2
U 13	Function LED3	see U 11	3
U 14	Function LED4	see U 11	0
U 15	Function LED5	see U 11	19
U 16	Function LED6	see U 11	20
U 20	Function LED week days	0: no function (off) 1: display weekday 2: see U 21...U 27	0
U 21	Function LED7 (Mo)	see U 11	0
U 22	Function LED8 (Tu)	see U 11	0
U 23	Function LED9 (We)	see U 11	0
U 34	Function LED10 (Th)	see U 11	0
U 25	Function LED11 (Fr)	see U 11	0
U 26	Function LED12 (Sa)	see U 11	0
U 27	Function LED13 (Su)	see U 11	0
U 99	Password of parameter level U--	-99 ... 999	-19



4-- Control circuit 2 (password-protected)

Parameter	Description of function	Setting range	Values default
40	Assignment of sensors to control circuit 2 detailed description of sensors in parameters H11 through H53	0: none 1: Sensor F1 2: Sensor F2 3: Sensor F3 4: Sensor F4 5: weighted mean value from F1 and F2	0
41	2nd control circuit: setpoint	48 ... 47	10.0
44	2nd control circuit: switching mode	0: heating 1: refrigerating	1
45	2nd control circuit: hysteresis	0.1...99.0°C	2.0
46	2nd control circuit: hysteresis mode	0: symmetrical 1: one-sided	1
47	Upper setpoint limit	48 ... +999°C	50.0
48	Lower setpoint limit	-99°C ... 47	-50
49	Function in the case of sensor fault	0: contact off 1: contact on	1
410	Defrosting interval control circuit 2	0: no defrosting 1...99 hrs.	0
411	Defrosting time limitation thermostat 2	1...99 min.	30
499	Password of parameter level 4--	-99 ... 999	-19

MASTER PASSWORD

All passwords can be edited through parameterisation. If you don't remember a password, you can still parameterise the controller and look up and/or edit the password via a master password. To do that, follow these steps:

1. Switch off power supply (disconnect from mains or switch off power supply unit)
2. Press buttons **UP**, **DOWN** and **SET** at the same time and switch on power supply again.
3. Now, a ("Challenge") number will be displayed for approx. 5s.

In no case disconnect the controller from power supply now. Otherwise, the number will become invalid. Using this number, you can call our sales staff, phone +49 711 68661-0 to request the master password ("Response"). Enter this master password in the 1st control level in **PA**.

Important: Even if you remember the password, you **must** enter the master password here. If the password is accepted, you will enter the parameter selection levels and all passwords will be deactivated. By pressing the **SET** button (display ---) you can switch to the relevant parameter level.

Now, the master password is no longer required. The passwords will remain deactivated until the controller is disconnected from power supply again. In case you leave the parameter level now, simply press the **SET** button in **PA** in order to access the parameter selection levels again.



STATUS DISPLAYS AND ERROR MESSAGES

Message	Cause	Remedy
H₁	Overtemperature, temperature above alarm limit of parameter A1/A31	
L₀	Undertemperature, temperature below alarm limit of parameter A2/A33	
E 1L	Error on sensor F1, short-circuit	check sensor F1
E 1H	Error on sensor F1, wire broken	check sensor F1
E 2L	Error on sensor F2, short-circuit	check sensor F2
E 2H	Error on sensor F2, wire broken	check sensor F2
E 3L	Error on sensor F3, short-circuit	check sensor F3
E 3H	Error on sensor F3, wire broken	check sensor F3
E 4L	Error on sensor F4, short-circuit	check sensor F4
E 4H	Error on sensor F4, wire broken	check sensor F4
E 5	Door open for too long	close door
E 6	High-pressure fault	Check: Condenser fan and check for dirt accumulation
E 7	Low-pressure fault	Plant leaking, to little coolant
E P 0	Internal error in control unit	Repair control unit
E P 1	Error in parameter memory	Check all parameters
E P 2	<i>Error in data memory</i>	<i>Repair control unit</i>
r t c	Error of internal clock	Set clock again. If error occurs again, the controller must be repaired

Errors **E P 0** and **E P 1** will disable the controller. The controller will only be enabled again once the error has been repaired. Error **E P 0** (and **E P 2**) can only be eliminated by repair. The errors and the current temperature will be displayed alternately.



A-- Alarms

A0 Alarm sensor assignment

With this parameter, you can set which sensor input is to be used as the alarm sensor.

A1 Upper limit value

A2 Lower limit value

The limit values are used for monitoring the cold store temperature. They are relative values, i.e. they always refer to the setpoint S1. If the temperature increases above or falls below the upper and lower limits, respectively, an alarm as specified in **A15** will be triggered. If [**A1** = 0] and/or [**A2** = 0], the relevant limit alarm is deactivated.

A3 Switching mode of alarm relay

With this parameter you can define if the relay is to be closed or opened in the case of an alarm.

A4 Switching hysteresis for alarm

The alarm contact hysteresis is set asymmetrically, downward at the upper alarm value and upward at the lower alarm point.

A10 Alarm suppression time after temperature alarm

If the temperature of the cold store exceeds the limits set in **A1**, **A2**, a temperature alarm should normally be triggered. Based on the suppression time set in **A10**, triggering of the alarm can be delayed.

A11 Alarm suppression time after defrosting

Triggering of a temperature alarm is prevented for the set time after defrosting so that the plant can reach normal operating conditions again.

A12 Alarm suppression time after Refrigerating On

Triggering of an alarm is suppressed for the set time after activation of refrigeration. This is to allow the refrigerating plant to reach the working temperature range without triggering of an alarm.

A13 Alarm suppression time, door open

With this parameter you can define after which time an alarm is to be triggered when the door is opened. If the door is closed again within the specified time, no alarm will be triggered.

A14 Behaviour when temperature alarm disappears

Here, you can define if a temperature alarm can be deleted automatically as soon as the temperature is in the permissible range again or if it must be acknowledged. This is to ensure, for example, that a temperature alarm that occurred at night remains present until the error is acknowledged the next day. If the temperature alarm is still present when it is acknowledged, the buzzer will be switched off as set in **A15**, the alarm message in the display, however, will remain present until the temperature is within the permissible range again. Then, the acknowledged alarm will be deleted automatically.

A15 Buzzer function and/or display in the case of an alarm

Here, you can define if a temperature alarm is to be displayed or not and if the buzzer is to sound. Additionally, you can define if the buzzer is to sound again after acknowledgement. The corresponding time is indicated in **A16**. The error message and the temperature will be displayed alternately as long as the alarm is present. If more than one alarm messages are present, they will be displayed alternately. The alarm relay will signal the alarm at all times.

A16 Buzzer recurring after acknowledgement

Alarms which have not been eliminated will be switched on again by the buzzer after the set time. This only applies if [**A15**=6].

A17 Reset MIN / MAX memory

With this parameter, you can delete the MIN and/or MAX memory.

A18 Display of current MAX memory

Here, you can view the current MAX memory.

A19 Display of current MIN memory

Here, you can view the current MIN memory.

A20 High-pressure function: Releases until alarm

In the case of a high-pressure signal via a parameterised switching input, the compressor will be switched off immediately and a message will be displayed. If the high-pressure signal disappears within 15 minutes, the error message will be deleted and the compressor will be started again. However, an alarm via the alarm relay will only be triggered if the number of registered releases (within 15 min.) set in this parameter is exceeded or if the signal is present for more than 15 minutes. This fault will only be deleted after disconnection of the plant from mains supply (and repair!).

A25 Low-pressure function: Delay until alarm

If a low-pressure signal is present via a parameterised switching input and it does not disappear again within the time specified here, the compressor will be switched off and an error message will be displayed. This fault will only be deleted after disconnection of the plant from mains supply (and repair!).

A99 Password for parameter level A--

With this parameter, you can set the password for parameter level A--.



b-- Buttons and switching inputs (password-protected)

b 1 ... b 8 Function buttons 1 ... 8

Certain functions can be assigned to the buttons. The buttons are arranged according to the front foil, the layout may differ from case to case. For the function of the buttons, refer to the operating manual of the relevant device. The "SET" **cannot** be assigned another function!

b 11, b 13, b 15, b 17 Function E1 ... E4

Certain functions can be assigned to the switching inputs.

b 12, b 14, b 16, b 18 Switching mode E1 ... E4

Here, you can define if the switching input is used as a make contact (normal) or break contact (inverse).

b 99 Password for parameter level b--

With this parameter, you can set the password for parameter level b--.



c-- Control circuit 1

c 0 Assignment of cold store sensors

With this parameter, you can set which sensor input is to be used as the cold room sensor. The selected sensor must be set up accordingly in the **H** parameters.

c 1 Control circuit 1: Setpoint (Set1)

c 2 Control circuit 1: Night-time incr./decr.

c 3 Control circuit 1: Setpoint (Set2)

With this parameter, you can set the setpoint. It will be displayed directly if you press the SET button and can be edited. The setting range is defined by the settings in parameters **c 7** and **c 8**. Setpoint **c 3** becomes active if the Set2 function is switched on via a button, a digital switching input, the internal clock or the ST-bus. Setpoint **c 2** becomes active if the night-time increase/decrease function is switched on via a button, a digital switching input, the internal clock or the ST-bus. The value of **c 2** is added to the currently active setpoint **c 1** or **c 3**.

c 4 Control circuit 1: Switching mode

The switching mode of the control output can be set to heating or refrigerating function. In the case of the heating function, the control output is switched on if the actual temperature is lower than the set temperature. In the case of the refrigerating function, the output is on if the temperature is higher than the setpoint.

c 5 Control circuit 1: Hysteresis

In this parameter, you can specify the control hysteresis. A small hysteresis enables exact control, but will result in frequent switching of the relay.

c 6 Hysteresis mode

With this parameter you can define if the hysteresis will be active at the corresponding switching point symmetrically or on one side only. In the case of a one-sided hysteresis, the hysteresis will be active below the setpoint in the case of the heating function [**c 4**=0] and above the setpoint in the case of the refrigerating function [**c 4**=1]. In the case of a symmetrical hysteresis, there is no difference.

c 7 Upper setpoint limit

c 8 Lower setpoint limit

Setpoints **c 1** and **c 3** can only be set within the limits defined here.

c 10 Start protection after compressor start

This protection time starts as soon as the compressor is switched on. When the compressor is switched off, it cannot be switched on again until this time has elapsed. This is to avoid excessive activation and to increase the service life as a consequence.

c 11 Start protection compressor after compressor stop

This protection time starts as soon as the compressor is switched off. The compressor cannot be switched on again until this time has elapsed. This is to avoid excessive activation and to increase the service life as a consequence.

c 12 Start protection compressor after mains On

Activation of the control output is prevented after "Mains On" until this time has elapsed. This function can be used, for example, to avoid that several controllers are switched on at the same, which would result in a high load on the power supply network.

c 15 On-time in emergency operation

c 16 Cycle time in emergency operation

With these parameters, you can define how the compressor is to behave in the case of a sensor fault. In emergency operation, the compressor is operated in a cycle of c 16. The on-time in c 15 is a percentage of the cycle time, with 100% meaning that the compressor runs continuously and 0% meaning that the compressor is off all the time. In deep-freeze stores, the compressor should continue operation in order to avoid defrosting. In normal cold stores above 0°C continued operation might result in frost damage, however. During emergency operation, no defrosting will be performed.

c 20 Assignment of sensors for "super-frost" function

With this parameter, you can set which sensor input is to be assigned to the "super-frost" function. Depending on the sensor design, it can also be used as core and/or product temperature sensor. The selected sensor must be set up accordingly in the H parameters.

c 21 "super-frost": lime limit, "shock-frost", "max. refrigerating power"

c 22 "super-frost": temperature limit, "shock-frost", "max. refrigerating power"

c 23 "super-frost": deactivation, "shock-frost", "max. cooling power"

If this function is activated, the lower warning limit is deactivated and the compressor is on permanently. In c 23, you can define if automatic shut-down is to be performed and if this automatic shut-down is to be limited by time only or by temperature, too. Limitation by time is defined via c 21, the temperature condition is defined via c 22.

c 99 Password for parameter level c--

With this parameter, you can set the password for parameter level c--.



d-- Defrosting control circuit 1

d0 Assignment of evaporator sensor (defrosting sensor)

With this parameter, you can set which sensor input is to be used as the evaporator/defrosting sensor. The selected sensor must be set up accordingly in the H parameters.

d 1 Defrosting interval

The defrosting interval defines the time after which a defrosting operation is started. Once the defrosting operation is triggered, the defrosting interval starts again. A defrosting operation can also be triggered by pressing the UP button ("manual defrosting") for at least 3 seconds or another parameterised button. Via the internal week timer, defrosting can also be started in real time. Once switched on, the controller starts refrigeration immediately and will trigger the first defrosting operation as soon as the time set in d 1 has elapsed. If [d 1=0], no automatic defrosting operation will be performed.

d 2 Defrosting mode

In this parameter, you can define if defrosting is to be performed and, if yes, how it is to be performed. You can choose among simple shut-down of the compressor, defrosting by electric heating or by hot gas. Electric defrosting will always be performed after a compressor break, defined in d 9. Hot gas defrosting will always be performed directly after a refrigeration phase. Additionally, you can define via parameters d 7 and d 8 if the cold store temperature is to be lowered before defrosting.

d3 Defrosting temperature

A defrosting operation is complete as soon as the temperature set here is reached at the evaporator. If the defrosting operation is not completed within the time set in **d4**, it will be stopped.

d4 Defrosting time limitation

Here, you can set the max. time in which the defrosting operation must be completed. After the time set here, the defrosting operation will be stopped even if the evaporator was not hot enough to be free of ice.
No error message will be displayed.

d5 Display of cold store temperature during defrosting operation

It must be expected that the cold store temperature will increase slightly during a defrosting operation. If [**d5** = 0], the actual cold store temperature will be displayed during the defrosting operation. If [**d5** = 1], the temperature measured directly before the start will be displayed until the cold store setpoint is reached again after the end of the defrosting operation. This is to avoid irritation of the user during the defrosting phase. In the case of an alarm, the display will be flashing and the actual cold store temperature will be displayed.

d7 Temperature difference for refrigeration before defrosting

d8 maximum refrigerating time for refrigeration before defrosting

To avoid unnecessary heating up of the cold store, you can set up a refrigeration cycle to be performed before the defrosting operation.

d9 Delay after compressor stop before electric defrosting is started

If the compressor is on when an electric defrosting request is received, the start of the defrosting operation is delayed by the time specified here.

d10 Drip time

Directly after the end of the defrosting operation, the drip / dewatering time will start let the evaporator drain. During this time, the compressor, defrosting and evaporator fan outputs are switched off.

d11 Off-delay of drip tray heating

Here, you can define how long the drip tray heating is to remain switched on after a defrosting operation to avoid that the dripping water freezes again.

d99 Password for parameter level d--

With this parameter, you can set the password for parameter level d--.



F-- Fan control circuit 1

F8 Fan speed in control mode, Set1

Fan speed in normal control mode and active Set1

F9 Fan speed during defrosting, Set1

Fan speed during defrosting and active Set1

F10 Fan speed in control mode, Set2

Fan speed in control mode and active Set2.

F11 Fan speed during defrosting, Set2

Fan speed during defrosting and active Set1

F12 Start-up time (in seconds)

If necessary, the fan can be switched on at max. speed for the time set here to ensure it runs properly. This parameter is active only if the fan is switched on from standstill.

F13 Minimum speed

Here, you can set the lowest voltage value at which a connected fan will still be running.

F15 Evaporator fan:

Fan mode control mode

In this parameter, you can define how the fan is switched on in control mode. If the controller is performing a defrosting operation, the fan will be controlled via parameter **F16**. In the case of continuous operation, the fan will be running as soon as the controller is switched on. In the case of continuous operation interrupted for draining, the fan will behave like in the case of continuous operation. However, it will be switched off for the time set in **F19** as soon as the defrosting operation is complete. After the drain time set in **F19**, the fan will be switched on again. If the compressor is switched on before this time has elapsed, the fan will be restarted immediately (after the delay set in **F17**). In the configuration with compressor On, the fan will be switched on/off together with the compressor. In order to avoid mains overload by starting the compressor and fan at the same time, a delay can be defined in **F17**. The fan can also be temperature-controlled. You can define if the evaporator sensor temperature or the difference

between the evaporator and the cold store sensor is to be used for controlling the fan. The control setpoint and hysteresis are defined via parameters **F20** and **F21**.

F 16 Fan mode defrosting

In this parameter, you can define if the fan is to be on or off during defrosting. This parameter will not be effective in temperature-controlled fan mode [**F 15**=4 or 5].

F 17 Delay after compressor On

In order to avoid mains overload by starting the compressor and fan at the same time, you can define a delay for the fan in this parameter. It will not be effective in temperature-controlled fan mode.

F 18 Delay after defrosting

At the end of a defrosting cycle, the fan will be switched on after the delay set in this parameter. This parameter will be effective in all fan modes set up.

F 19 Drip interruption time (if F 15=2)

If the fan runs in continuous mode, there is low temperature variation at high atmospheric moisture. In operation mode "with compressor on", the temperature variation will be greater while the atmospheric moisture is lower. This parameter is to enable a combination of both advantages. The fan runs in continuous mode and is switched off for the time specified here when the compressor is switched off. This enables the moisture accumulating at the evaporator to drain off.

F20 Control offset evaporator sensor (for F 15=4 or 5)

If [**F 15**=4] the following applies: The setpoint for control circuit 1 (**c 1** or **c3**) forms the basis. If the evaporator temperature is below the setpoint, the evaporator fan will be switched on. This switching point can be shifted by the value defined here. If [**F 15**=5] the following applies: The temperature difference between cold store (sensor from **c0**) and evaporator temperature (sensor from **d0**) determines the switching point for the evaporator fan. If the evaporator temperature is below the cold store temperature, the evaporator fan will be switched on. This switching point can be shifted by the value defined here.

F21 Hysteresis (if F 15=4 or 5)

The control hysteresis is always set above the theoretical switching point.

F50 Assignment of evaporator sensor

With this parameter, you can set which sensor input is to be used as the evaporator sensor. The selected sensor must be set up accordingly in the **H** parameters.

F51 Condenser fan: setpoint

Only effective if [**F65**=3]. If the value defined here is exceeded, the condenser fan will be switched on.

F54 Condenser fan: switching hysteresis

Only effective if [**F65**=3]. The hysteresis is set on one side above the setpoint of parameter **F51**.

F58 Condenser fan:

Delay after compressor start

On-delay of condenser fan after activation of the compressor.

F59 Condenser fan:

Delay after compressor stop

Off-delay of condenser fan after shut-down of the compressor.

F65 Function of condenser fan

- 0: no function, i.e. condenser fan is off
- 1: condenser fan on at all times
- 2: condenser fan on if compressor is on
- 3: condenser fan controlled via setpoint in parameter **F51**. In the case of a sensor fault, the fan behaves like defined in [**F65**=2].
- 4: like 3., but the fan is controlled continuously via a voltage output

The proportional range is defined in parameter **F66**.

F66 Condenser fan:

Proportional range P-controller

For setting of proportional range required if [F65=4] in which the fan is to be controlled.

F67 Condenser fan: Minimum speed

Here, you can set the lowest voltage value at which a connected fan will still be running.

F68 Condenser fan: Start-up time

Here, you can define the time for which a fan is switched on from standstill at max. voltage to enable stable operation.

F99 Password for parameter level F--

With this parameter, you can set the password for parameter level F--.



H-- Temperature sensors

H 1 Mains frequency

In this parameter, you must define the mains frequency.

H 11, H2 1, H3 1, H4 1 Act. value sensor F1 .. F4

The temperature value shown here is used for control. It is calculated as follows:

Actual control value =

$$\begin{aligned} & (\text{actual measured value} * \text{weighting factor}) \\ & + \text{actual value correction} \end{aligned}$$

Actual value correction and weighting factor must be defined in the following parameters. This corrects actual value deviations in special applications (refrigerated shelves or similar) due to unfavourable sensor location.

H5 1 Weighted mean value sensors F1 and F2

This theoretical mean value from sensors F1 and F2 may be useful for the control circuit or display. It is calculated as follows:

$$H5 1 = (H53 * H 11 + (100 - H53) * H2 1) / 100$$

H 12, H22, H32, H42 Calibration of sensor F1...F4 actual value correction

With this parameter it is possible to correct actual value deviations caused by sensor tolerances, very long sensor cables or structural protections (e.g. ex-barriers), for example. The value defined here is added to the measured value.

H 13, H23, H33, H43 Weighting factor F1...F4

With this parameter, it is possible to correct actual value deviations due to unfavourable sensor location. The value measured by the controller is multiplied by the value set here.

H 14, H24, H34, H44 Sensor selection F1...F4

With this parameter, you can define the sensor type. Depending on the hardware, not all sensor types may be supported. For the NTC sensor, a parallel resistor will have to be connected.

H 15, H25, H35, H45 Software filter F1...F4

In this parameter, you can define how many measured values are to be used for calculating a mean value. A mean value is calculated from the last measured values, with the oldest measured value being deleted (so called "Moving Average Filter").

H 16, H26, H36, H46 F1...F4: Display at 0 / 4mA

If, when choosing the sensor, H 14 / H24 / H34 / H44 = 7 or 8 is selected (0...20mA or 4..20mA linear sensor), you can define via this parameter which value is to be displayed in the case of a current of 0 or 4mA. The value to be displayed for 20mA can be defined in the next parameter. The actual measured value is calculated as linear interpolation between these two values.

H 17, H27, H37, H47 F1...F4: Display at 20mA

If, when choosing the sensor, H 14 / H24 / H34 / H44 = 7 or 8 is selected (0...20mA or 4..20mA linear sensor), you can define via this parameter which value is to be displayed in the case of a current of 20mA. The display value for 0 / 4mA is defined in the previous parameter. The actual measured value is calculated as linear interpolation between these two values.

H53 Weighting of sensor F1 for display H5 1 (weighted mean value of sensor F1 and F2)

This theoretical mean value from sensors F1 and F2 may be useful for the control circuit or display. It is calculated as follows:

$$H5 1 = (H53 * H 11 + (100 - H53) * H2 1) / 100$$

H99 Password for parameter level H--

This parameter sets the password for level H--.



J-- Pre-defined parameter sets (password-protected)

J1 Internal: active data set

With this parameter, you can set up pre-defined data sets. The data sets are provided by Störk-Tronic. If a new data set is loaded, all previously set parameters will be overwritten. After that, they can be edited as required.

J2 Interval for data recording

If the controller features a data recording function, the relevant interval can be defined via this parameter. Snapshots of the data will be recorded. The type of data to be recorded will be described in a separate documentation.

J98 Password for accessing level selection

With this parameter, you can set the level selection password, i.e. in display PA. In the standard design, access to level selection is blocked by password - 19. This parameter cannot be set on the controller itself but only via the ST-bus.

J99 Password of parameter level J--

With this parameter, you can set the password for parameter level J--.



L-- Networking and display (password-protected)

L0 ST-bus own address

With the address set here, the controller can be addressed via the bus. Each bus client must have its own address. Addresses must be unique, i.e. must not be assigned several times.

L2 Temperature scale

With this parameter, you can define if temperature values are to be displayed in °F or °C.

L3 Display mode

Here, you can switch over between 3-digit and 4-digit display. However, if the hardware provides 3 digits only, the left digit will be lost, i.e. the sign in the case of negative numbers. You can also define here if values are to be displayed without decimal places, with rounded decimal place or exactly.

L4 Display value

Here, you can define which actual value is to be displayed. This refers to the display in normal operation. You will have to leave the parameter level in order to see the set value.

Possible values which can be set via this parameter:

L4	Description
0	Cold store temperature, circuit 1, but display as defined in d5□ during defrosting
1	Cold store temperature
2	Evaporator temperature
3	Current setpoint for evaporator fan
4	Current setpoint cold store, circuit 1
5	Condenser temperature (pressure?)
6	P-control result for condenser fan
7	Current setpoint for condenser fan
8	current setpoint of condenser
9	Cold store temperature via test bottle function
10	MIN value of cold store temperature since last reset
11	MAX value of cold store temperature since last reset
12	Act. value control circuit 2
13	Current setpoint control circuit 2

L5 Software version

Here, the software version of the controller is displayed.

L7 Display in standby mode

In this parameter, you can define what is to be displayed in standby.

L40 Mask on enabled functions (Bit 0...7)

L41 Mask on enabled functions (Bit8...15)

Here, you can specify the functions enabled via the bus using a binary mask. The bits have the following meaning:

Para	Bit	Valency	Function
L40	0	1	controller on/off
	1	2	control circuit 1 on/off
	2	4	control circuit 2 on/off
	3	8	Control circuit 1: defrosting request
	4	16	Control circuit 1: super-frost request
	5	32	Control circuit 1: reserved
	6	64	Control circuit 1: Set1 / Set2 change-over
	7	128	Control circuit 1: day / night change-over
L41	8	1	Control circuit 2: defrosting request
	9	2	Function A: light 1
	10	4	Function B: light 2
	11	8	Function C: window heating
	12	16	Function D: door frame heating
	13	32	Function E: blade scraper
	14	64	Function F: reserved
	15	128	reserved

To determine the value to be parameterised, all valencies must be added up.

L99 Password for parameter level L--

With this parameter, you can set the password for parameter level L--.

U-- Relay contacts and lamps (password-protected)

U1 ... U8 Function relay K1...K8

Assignment of internal output signals to the corresponding output relays.

U11 ... U16 Function LED 1...6

Assignment of status LEDs (signal lamps) to the internal signals.

U20 Function LED weekdays

If 1 is entered here, the 7 LEDs are assigned to the weekdays. In this case, parameters U21..U27 will not be active. If 2 is entered, the LEDs will be assigned according to parameters U21..U27.

U21 ... U27 Function LED 7...13 (Mo...Su)

Assignment of weekday LEDs to certain internal signals (signal lamps).

U99 Password of parameter level U--

With this parameter, you can set the password for parameter level U--.

Y-- Control circuit 2 (password-protected)

Y0 Assignment of sensor for independent 2nd control circuit (thermostat)

With this parameter, you can set which sensor input is to be assigned to the 2nd control circuit.

Y1 Control circuit 2: setpoint

Here, you can set the setpoint for the 2nd control circuit (thermostat). If a button is parameterised accordingly, the setpoint can also be viewed and set up via this button directly.

Y4 Control circuit 2: switching mode

Heating contact or cooling contact.

Y5 Control circuit 2: hysteresis

In this parameter, you can specify the control hysteresis. A small hysteresis enables exact control, but will result in frequent switching of the relay.

Y6 Control circuit 2: Hysteresis mode

With this parameter you can define if the hysteresis will be active at the corresponding switching point symmetrically or on one side only. In the case of a one-sided hysteresis, the hysteresis will be active below the setpoint in the case of the heating function [[Y4=0] and above the setpoint in the case of the refrigerating function [Y4=1]. In the case of a symmetrical hysteresis, there is no difference.

Y7 Control circuit 2: upper setpoint limitation

Y8 Control circuit 2: lower setpoint limit

With these parameters, you can limit the setting range of setpoint Y1 to avoid that the end user does not enter non-permissible values.

Y9 Control circuit 2: Function in the case of sensor fault

Here, you can define if, in the case of a fault, the addressed output contact will open or close.

Y10 Control circuit 2: Defrosting interval

The defrosting interval defines the time after which a defrosting operation is started. As soon as the defrosting cycle is triggered, the defrosting interval starts again. In this way, periodic defrosting at a fixed time interval is ensured.

Y11 Control circuit 2: Defrosting time limitation

Here, you can set the max. time in which the defrosting operation must be completed.

Y99 Password of parameter level Y--

With this parameter, you can set the password for parameter level Y--.

Technical data of ST181-LM4KAR.112

Measuring input

F1: Temperature sensor PTC

F2: Temperature sensor PTC

Sensor type: PTC Measuring range -50°C...+130°C

Measuring accuracy: $\pm 0.5K \pm 0.5\%$ at 25°C, without sensor
 $\pm 1K \pm 0.5\%$ of scale range (0...+50°C), without sensor

Outputs

K1: Relay, 30(6)A 250V~, normally-open contact, function see U1
permanent current max. 16(6)A, limited by connectors and/or conductive strips

K2: Relay, 16(2.2)A 250V~, normally-open contact, function see U2

S1: voltage output for DC-fan: 0..24V, max. 420mA (corresponds 10W)

Additional buzzer, 85dB

Display

One 3-digit LED-Display for temperature display, height 13mm

Three LEDs, diameter 3 mm, for status display of the outputs

Two LEDs, diameter 3 mm, for status display of the active data record

Power supply

100...240 V~ 50/60 Hz, power consumption max. 4 VA

Connectors

Wieland terminal

Ambient conditions:

Storage temperature -20°C...+70°C

Operating temperature 0...55°C

Relative humidity max. 75 %, without dew

Weight: ca. 520g, without sensor

Enclosure

Front IP65, IP00 from back

ST-Bus communication interface

Interface driver: RS485, galvanically not separated

The network has to be installed in lines topology and terminated with a 120 Ohm resistance on each side.

In case of networking always connect port "A" with port "A" and port "B" with port "B". Crossing over is not permissible.

Installation data

The unit is to be installed in an instrument panel.

Front size: 180 x 52 mm

Panel cut-out: 159 x 45 mm

Installation depth: ca. 165 mm with connector