

## ZB Gateway

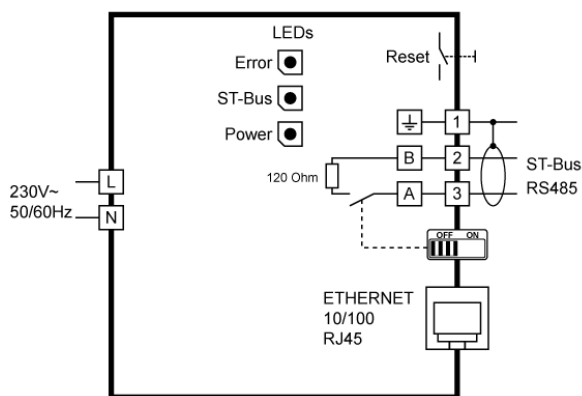
Interface coupler TCP-IP/RS485

Order number 900228.023

As of: 11.12.2015



## Wiring diagram



## Product description

With the help of the TCP-IP/RS485 interface coupler, an RS485 interface is made available on a computer with an Ethernet connection for communication with ST-Bus devices.

**Dimensions:** approx. 140mm x 85mm x 50mm Wall-mounted housing

## **Using the IP Gateway:**

### ATTENTION:

The IP gateway requires an IP address that is not yet used in your local network. Please contact your network administrator if you are not sure which IP addresses are used in your local network!

Please note that all IP gateways are delivered from the factory with the same IP address and therefore cannot be connected to your local network simultaneously in an unconfigured state when using several gateways.

If you want to operate several IP gateways, please make sure that only one IP gateway to be configured is connected to the local network at any one time.

If the default IP address of the gateway (192.168.0.101) is not used in your local network, you can connect the gateway to the local network using a CAT5 Ethernet cable.

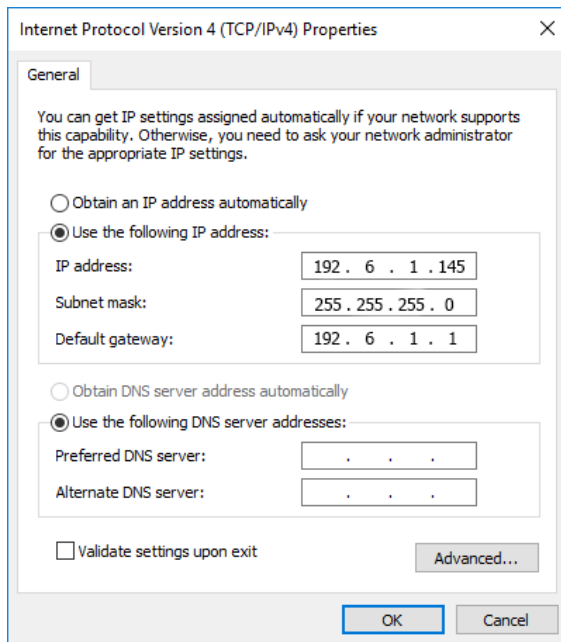
If the default IP address is already assigned, connect the gateway directly to your PC for configuration.

The IP gateway does not use DHCP and must be configured with a static IP address.

You may have to change the network settings of your PC to connect to the gateway for the first time. Please make a note of any changes or ask your network administrator for help.

## Configure local network settings

The IP gateway is by default delivered with the IP address "192.168.0.101" and the subnet mask "255.255.255.0".



In order for the PC to connect to a new IP gateway, it must be configured with an IP address from the same address range.

Proceed as follows:

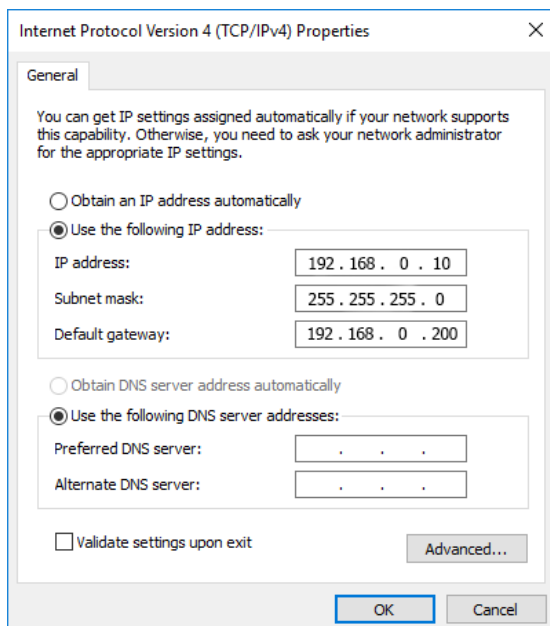
Open the network connection dialogue ("Start --> Control Panel --> Network Connections").

Select the appropriate LAN connection ("LAN Connection"). Open the properties window of this LAN connection ("right mouse click" --> "Properties").

In the selection list, find the item "Internet Protocol (TCP/IP)" and select "Properties".

Make a note of the original values of the properties window. You will need these values when you reconnect the PC to your local network.

If your PC is already in the subnet "192.168.0.xxx" (the IP address is composed of 192.168.0 in the first three entries), you can skip the following points (cancel all dialogues) and continue directly with the point "Configure gateway".



If the PC is in another subnet (the IP address differs from 192.168.0 in the first three entries), please enter "192.168.0.10" in the IP address field and "255.255.255.0" in the "Subnet mask" field. Please change the default gateway to the value "192.168.0.200".

You can only change these values if you have administrator rights and have activated the "Use the following IP address" dialogue.

Confirm all property windows with "OK" and possibly restart the system.

## Configure gateway

After you have adjusted the local network settings of your PC, press the "Configure Gateway..." button.

The screenshot shows a Windows-style dialog box titled "Einstellungen - unbenannt". It is divided into two sections: "Verbindungseinstellungen" and "Konfigurationseinstellungen".

**Verbindungseinstellungen:**

- IP-Adresse: 192.168.0.101
- Paßwort (max. 19): [Redacted]
- Konfigurationsport: 14742
- Buttons: Standardwerte, verbinden, schließen

**Konfigurationseinstellungen:**

- IP-Adresse: 1.0.0.0
- Subnetzmaske: 0.0.0.0
- Standardgateway: 1.0.0.0
- Konfigurationsport: 14742
- Datenzugriffsport: 14743
- Paßwort (max. 19): [Empty]
- Paßwortbestätigung: [Empty]
- Buttons: konfigurieren, trennen, schließen

At the bottom left, it says "Nicht verbunden." and at the bottom right, "V.105".

The factory settings of the gateway are displayed. Please do not change anything, just activate the "verbinden" ("connect") button. The current settings of the IP gateway are displayed in the lower dialogue section.

If you receive an error message, please check the network settings and cable connections, reconfigure any existing firewall to allow ICMP packets and ports 14742 and 14743 to pass through or contact your network administrator.

After you have established a successful connection to the IP gateway, you can make the settings valid in your local network.

For setting the locally valid network defaults, please perform the following actions:

Enter the static IP address for the IP gateway obtained from your network administrator as the "IP address". Proceed in the same way with the entries "Subnet mask" and "Default gateway".

To save the values in the IP gateway, you must enter the password and the password confirmation. In the factory setting, the password is "administrator". Then please activate the button "configure".

You can change the password by entering a new password in the fields "Password" and "Password confirmation" and then pressing the button "Configure". Please wait at least 10 seconds until the gateway has reinitialised.

If you have made a mistake when entering the settings or decide to return to the original values, you can reset the gateway to the factory settings by pressing the "RESET" button for at least 3 seconds.

## **Technical data**

### **Connections**

RS485, ST-Bus, 3-pole  
RJ45 Ethernet

### **Environmental conditions**

Storage temperature -20°C...+70°C  
Working temperature 0...55°C  
Relative humidity max. 75% r.h., no condensation

### **Power supply**

230V~ 50/60 Hz, power consumption 3VA

### **Weight**

Ca. 200g

### **Tightness**

IP42

### **Installation data**

Table-top housing, also suitable for screwing to a wall.  
Enclosure size: L 140mm x W 85mm x H 50mm